



Peetz
Metallverarbeitung

Saddle cabinets
Tournament trolleys
Feeding utensils
Saddle carrier
Accessories



Horse Stable Equipment



Horse stable equipment from Peetz: Robust quality for the horse stable!

We are the producers of premium horse stable equipment made of galvanized sheet steel, aluminium and stainless steel. Our products are distinguished by the high-quality workmanship of the first-class materials they are made from.

Their nearly unlimited service life makes our company's robust items a purchase that lasts a lifetime and a practical highlight for every horse stable.



Peetz

Metallverarbeitung e.K.

Bergmecke 15
D-59872 Meschede-Freienohl

Fon +49(0)2903/6362

Fax +49(0)2903/2578

www.peetz-ohg.de

info@peetz-ohg.de

Contents

Saddle cabinets	4 - 5
Tournament saddle cabinets	6 - 7
Accessories for saddle cabinets	8
Feeding utensils	9 - 11
Saddle carrier and stands	12 - 13
Harness racks	14





Saddle cabinets

It.-No.	H x W x D in cm	Equipment:
100	80 x 80 x 60	1 circular tube support, black 2 snaffle holders 1 barrel-lock (2 keys)

It.-No.	H x W x D in cm	Equipment:
101	100 x 60 x 60	1 hatrack
102	106 x 60 x 60	1 circular tube support, black, plastic coated
103	125 x 60 x 60	4 galvanized snaffle hooks
104	150 x 60 x 60	1 barrel-lock (2 keys)

It.-No.	H x W x D in cm	Equipment:
111	106 x 60 x 60	1 hatrack
112	106 x 70 x 70	2 circular tube supports, black, plastic coated
113	125 x 60 x 60	4 galvanized snaffle hooks
114	125 x 70 x 70	1 barrel-lock (2 keys)
115	150 x 60 x 60	
116	150 x 70 x 70	

It.-No.	H x W x D in cm	Equipment:
121	100 x 60 x 60	1 hatrack
122	106 x 60 x 60	1 saddle carrier, black, plastic coated
123	125 x 60 x 60	4 plastic snaffle carriers, black
124	150 x 60 x 60	1 recessed grip lock (2 keys)

It.-No.	H x W x D in cm	Equipment:
131	106 x 60 x 60	1 hatrack
132	106 x 70 x 70	2 saddle carriers, black, plastic coated
133	125 x 60 x 60	4 plastic snaffle carriers, black
134	125 x 70 x 70	1 recessed grip lock (2 keys)
135	150 x 60 x 60	
136	150 x 70 x 70	

It.-No.	H x W x D in cm	Equipment:
141	106 x 60 x 60	1 hatrack
142	106 x 70 x 70	1 rack
143	125 x 60 x 60	1 circular tube support, black, plastic coated
144	125 x 70 x 70	4 galvanized snaffle hooks
145	150 x 60 x 60	1 barrel-lock (2 keys)
146	150 x 70 x 70	

It.-No.	H x W x D in cm	Equipment:
151	106 x 60 x 60	1 hatrack
152	106 x 70 x 70	1 rack
153	125 x 60 x 60	2 saddle carriers, black, plastic coated
154	125 x 70 x 70	4 plastic snaffle carriers, black
155	150 x 60 x 60	1 recessed grip lock (2 keys)
156	150 x 70 x 70	

It.-No.	H x W x D in cm	Equipment:
161	106 x 60 x 60	1 hatrack
162	106 x 70 x 70	2 racks
163	125 x 60 x 60	4 galvanized snaffle hooks
164	125 x 70 x 70	1 barrel-lock (2 keys)
165	150 x 60 x 60	
166	150 x 70 x 70	



It.-No.	H x W x D in cm	Equipment: 1 hatrack 3 racks 4 galvanized snaffle hooks 1 barrel-lock (2 keys)
171	180 x 60 x 60	
172	180 x 70 x 70	

It.-No.	H x W x D in cm	Equipment: • Combinable for orders • Height of the compartments freely combinable in 60, 120 and 180 cm • Saddle supports and/or racks • Barrel-locks each with 2 keys
173	180 x 60 x 60	

It.-No.	H x W x D in cm	Equipment: 2 racks 2 saddle carriers, black, plastic coated 4 plastic snaffle carriers, black 1 recessed grip lock (2 keys)
181	180 x 60 x 60	
182	180 x 70 x 70	

It.-No.	H x W x D in cm	Equipment: 1 hatrack 1 mobile saddle stand, black, plastic coated 4 plastic snaffle carriers, black 1 recessed grip lock (2 keys)
191	120 x 70 x 70	

It.-No.	H x W x D in cm	Equipment: 1 hatrack 1 rack 1 mobile saddle stand, black, plastic coated 4 plastic snaffle carriers, black 1 recessed grip lock (2 keys)
192	150 x 70 x 70	
193	180 x 70 x 70	

It.-No.	H x W x D in cm	Equipment: 2 separately lockable compartments with louvres 3 saddle carriers, black, plastic coated 6 plastic snaffle carriers, black 2 racks 2 drawers 2 simultaneously locking recessed grip locks, each with 2 keys
200	150 x 120 x 60	

Mounted cabinet

It.-No.	H x W x D in cm	Equipment: 1 rack 1 barrel-lock (2 keys)
240	60 x 60 x 60	
241	60 x 70 x 70	



173



191

Applicable also for stock saddles

All saddle carriers and circular tube supports are adjustable in height.

Mounted cabinet can be combined with all Peetz saddle cabinets.



240



Tournament saddle cabinets

Tournament saddle cabinets

It.-No. H x W x D in cm
220 106 (120) x 60 x 60

Galvanized (VZ), stainless steel (E), stainless steel mottled surface (EKM)

Equipment:

- Mobile, on 2 plastic rollers
- 2 handles on the back
- Hinged cover with 4 integrated compartments
- 2 saddle carriers, black, plastic coated
- 4 plastic snaffle carriers
- 1 recessed grip lock (2 keys)



220

Tournament trolley

It.-No. H x W x D in cm
215 120 x 100 x 60

Galvanized (VZ), stainless steel (E), stainless steel mottled surface (EKM)

Equipment:

- 4 pneumatic rollers, 2 of these castors with brake
- 4 plastic handles (lateral)
- 2 saddle carriers, black, plastic coated
- 4 plastic snaffle carriers
- 2 racks
- 1 recessed grip lock (2 keys)



215 E



215 EKM

Trailer anti-theft device

It.-No. 334 - galvanized
It.-No. 335 - Padlock with 2 keys



Trailer saddle cabinet

for mounting on a horse trailer; outdoors, without louvres

It.-No. H x W x D in cm
230 106 x 55 x 60 cm

Galvanized (VZ), stainless steel (E), stainless steel mottled surface (EKM)

Equipment

- 1 hatrack
- 2 saddle carriers, black, plastic coated
- 4 plastic snaffle carriers
- 1 recessed grip lock (2 keys)



Robust quality made of galvanized sheet steel or stainless steel.

Saddle carrier and tournament trolley made of stainless steel, available upon request.



Tournament trolley

It.-No. H x W x D in cm
210 140(155) x 140 x 60

Galvanized (VZ), stainless steel (E), stainless steel mottled surface (EKM)

Equipment:

- 2 separately lockable compartments with louvres
- 4 pneumatic rollers, 2 of these castors with brake
- 4 plastic handles (lateral)
- 3 saddle carriers, black, plastic coated
- 6 plastic snaffle carriers
- 1 clothes rail (can be pulled out to the front)
- 2 racks
- 2 drawers
- 1 suspended compartment with clothes rail
- 2 simultaneously locking recessed grip locks, each with 2 keys

Compartment for valuables

It.-No. H x W x D in cm
211 20 x 25 x 20

- 1 simultaneously locking recessed grip lock with 2 keys





Accessories for saddle cabinets

All saddle cabinets can be equipped with rollers, handles and other extras.
Customised designs according to your wishes and dimensions are possible.

	It.-No.
Pneumatic wheels, set of 4 (2 of these castors with brake)	261
Recessed grip lock (2 keys)	262
Circular tube support, black, plastic coated	263
Saddle carrier, black, plastic coated	264
Rack incl. fitting 60 x 60 cm	265
Rack incl. fitting 70 x 70 cm	266
Barrel-lock with 2 keys, individual locking	267
Barrel-lock with 2 keys, simultaneously locking	268
Key blank	269
Device for padlock	270
Drawer incl. rack 60 x 60 cm	271
Drawer incl. rack 70 x 70 cm	272



261



262



263

Feeding utensils

Feeding case

made of galvanized sheet steel

It.-No.	H x W x D in cm	
280	80/106 x 100 x 60	2 compartments
281	80/106 x 120 x 60	2 compartments
283	80/106 x 120 x 60	3 compartments

- Device for padlock



Feeding trolley

made of galvanized sheet steel

It.-No.	H x W x D in cm	
284	80/90 x 120 x 60	2 compartments
285	80/90 x 120 x 60	3 compartments

- 4 pneumatic rollers, 2 of these castors with brake
- 2 plastic handles
- Device for padlock



Base cabinet

lockable box with a drawer made of galvanized sheet steel

It.-No.	H x W x D in cm
250	50 x 60 x 60
251	50 x 70 x 70





Feeding utensils

Rectangular feeding trough

made of sheet steel, black, plastic coated, deep-drawn with mounted oval pipe, no sharp edges

L x W x H: 48 x 35 x 18,5 cm

It.-No. 307B – black, plastic coated

It.-No. 307BA – black, plastic coated with drain



307B

Round trough

made of aluminium; incl. permanently mounted wall or corner bracket, hygienic and easy to clean

Ø 34 cm

It.-No. 308 A – with wall bracket and drain

It.-No. 309 A – with corner bracket and drain



308 A



309 A

Drain and cleaning stopper available for all trough models.



It.-No. trough + accessory A - e.g. 301A

Feeding troughs

made of galvanized sheet steel, thickness 1.25 mm

	L x W x H in cm	It.-No.
Rectangular feeding trough	50 x 35 x 21	301
Corner feeding trough	60 x 43 x 21	302
Pony trough (not depicted)	40 x 27 x 21	303
Transporter trough for hooking (not depicted)	40 x 27 x 21	304
Foal trough with 3 adjustable bars	30 x 25 x 19	305



301

302

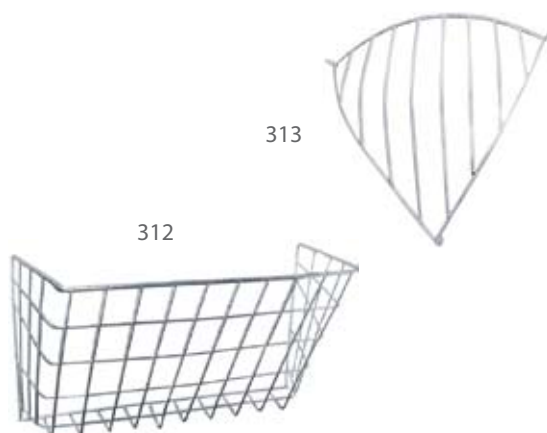
305



Hayracks

galvanized

	L x W x H in cm	It.-No.
Rectangular hayrack	73 x 47 x 45	312
Corner hayrack	66 x 57 x 47	313



Bucket holders

made of galvanized flat steel

	It.-No.
for screwing on	310
for hanging in	311



Horse drinking trough

made of cast iron,
basin completely enamelled
made of plastic

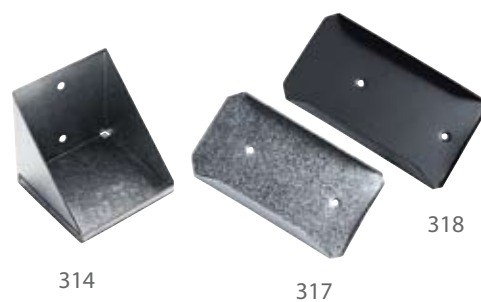
	It.-No.
made of cast iron, basin completely enamelled	340
made of plastic	345



Mineral lick stone holder

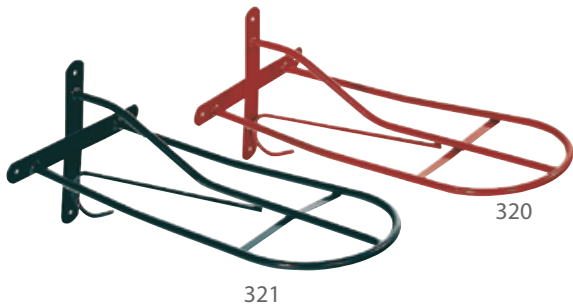
made of galvanized sheet steel, thickness 1.25 mm

	It.-No.
Salt lick stone box, galvanized	314
Mineral lick stone holder, galvanized	317
Mineral lick stone holder, plastic coated, black	318





Saddle carriers



Saddle carrier

made of galvanized steel pipe, plastic coated, with auxiliary clamps for snaffle and 4 mounting boreholes

It.-No. 320 – red

It.-No. 321 – black



Saddle carrier

made of galvanized steel pipe, hard-rubber coated, can be pivoted 180° degrees, with spring, lockable, length 39 cm

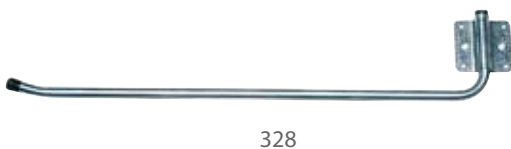
It.-No. 323



Saddle carrier

made of galvanized steel pipe, plastic coated, black, can be folded downwards, required space is reduced to 9 cm

It.-No. 325



Horse blanket holder

made of galvanized steel pipe, can be pivoted, 80 cm long

It.-No. 328

It.-No. 329 – for front of box

It.-No. 330 – with 3 bars

Saddle holder

plastic coated metal, for 2 saddles, for hooking in
It.-No. 360



Saddle holder

plastic coated metal,
alockable; padlock available separately
It.-No. 365 – padlock not included



Saddle stand

made of galvanized steel pipe, plastic coated, black,
on 4 plastic rollers (also suited for stock saddles)
It.-No. 326





Snaffle and harness holders



Snaffle holder

plastic coated metal, for hooking in

It.-No.355



Snaffle holder

made of plastic, flexible

It.-No.333



Snaffle holder

chromium-plated metal, for hanging up

It.-No.370



Harness holder set

plastic coated metal, black

It.-No.350

Harness cabinet

available on request



For over 40 years



Peetz

Metallverarbeitung e.K.

Bergmecke 15
D-59872 Meschede-Freienohl

Fon +49(0)2903/6362

Fax +49(0)2903/2578

www.peetz-ohg.de

info@peetz-ohg.de

Subject to technical changes.